

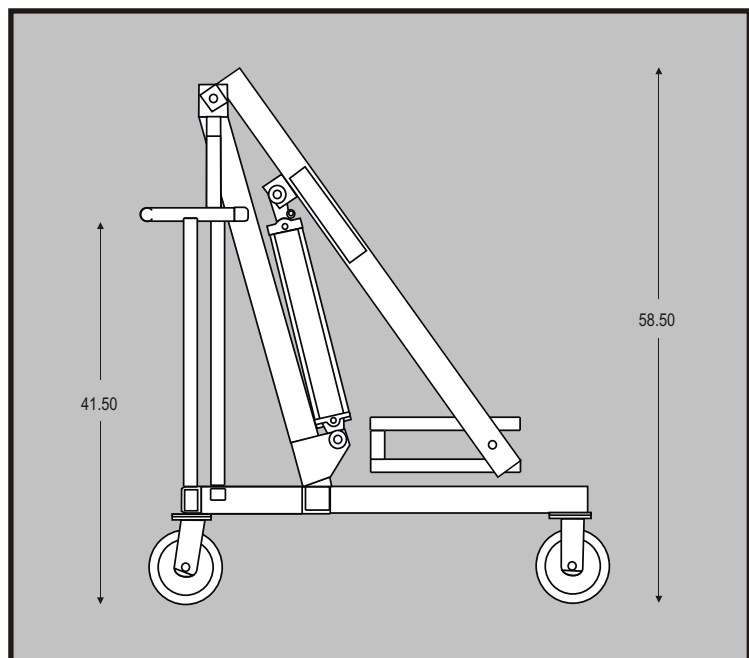
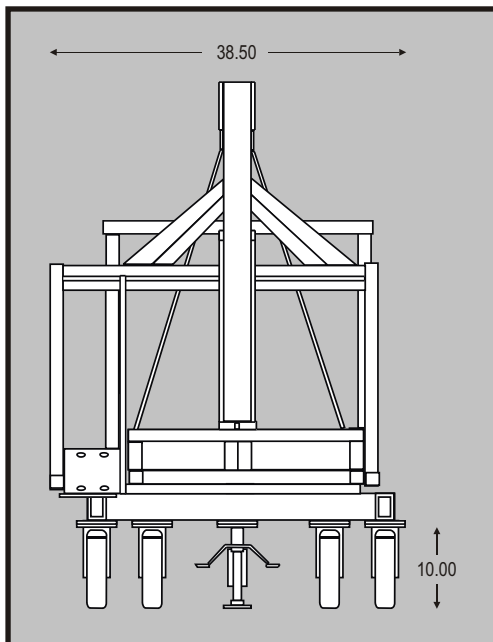
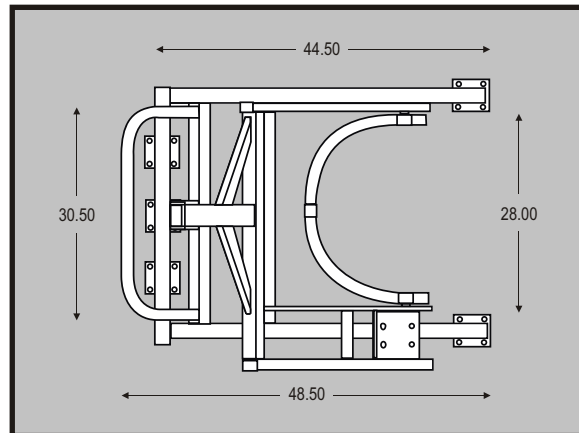
# DRUM RUNNER

## Model 4600

### Technical Data

#### Standard Features

- 800-lb Load Capacity
- 12V DC or 110V AC Operation
- Phenolic Wheels
- Handles Drums 29" - 36" Tall
- Counterbalanced
- Sturdy Mild-Steel Construction
- 72" Maximum Lift Height
- 84" Maximum Pour Height
- Steel-It®-Coated Frame



# DRUM RUNNER

1-800-DRUM-RUN (1-800-378-6786)

617 West Center Street, Suite 126 Marion, Ohio 43302

[www.drumrunner.com](http://www.drumrunner.com)