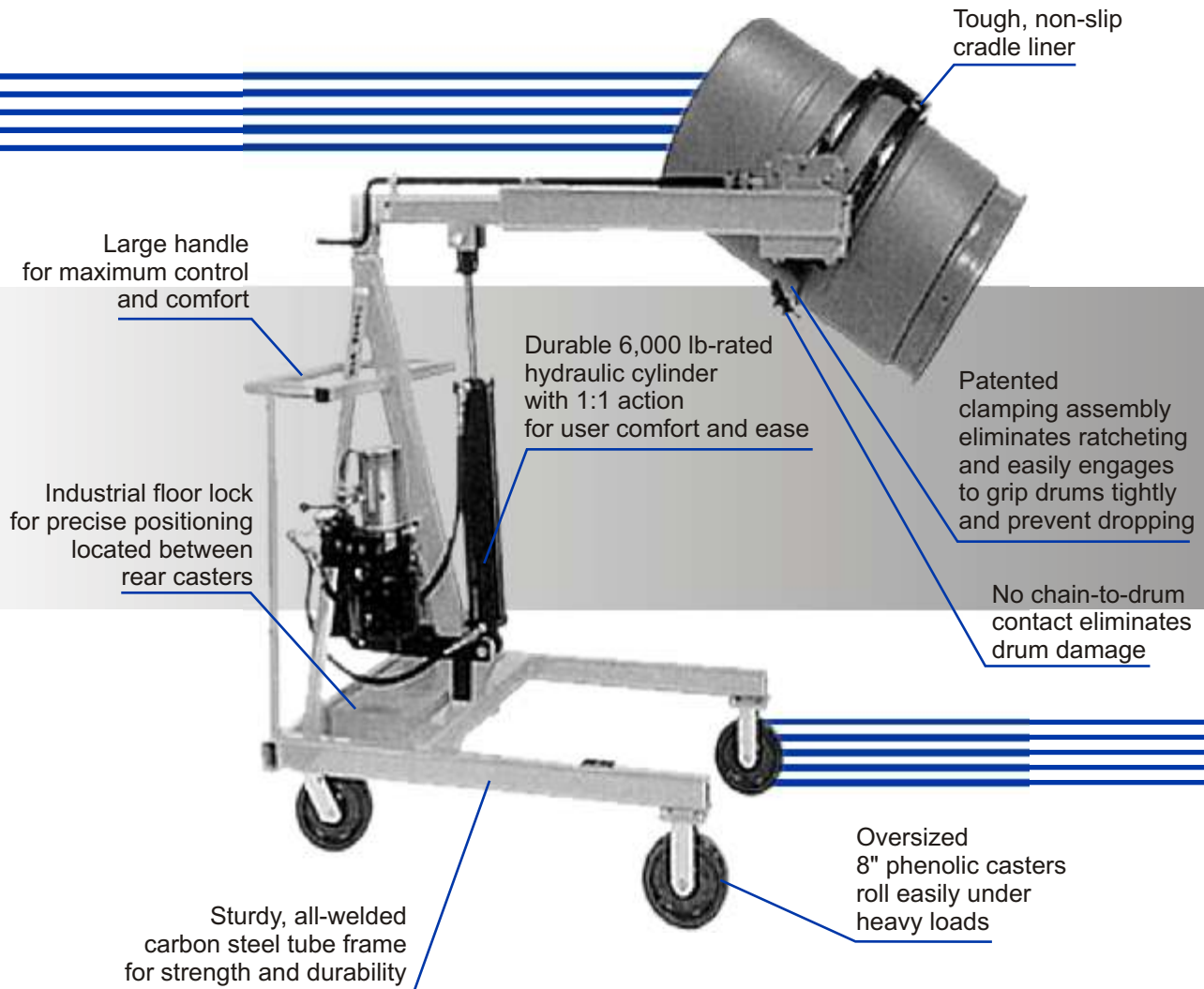


# **DRUM RUNNER**

## **Model 4600**

### **Lift - Carry - Rotate - Pour**

**Plastic, Steel, and Fiber Drums  
Safety & Securely**



**1-800-DRUM-RUN**

**(1-800-378-6786)**

**[www.drumrunner.com](http://www.drumrunner.com)**

# Drum Safety and Control

*Drum Runner is the value choice in multi-function efficiency.  
Lift, carry, rotate, and pour with our Model 4600!*

## Advantages

- ✓ **Safety**  
Employee risks are greatly reduced.
- ✓ **Reliability**  
Sturdy construction is complete with warranty.
- ✓ **Precision**  
Pneumatic controls with wide range of motion.  
A weighing option is available.
- ✓ **Ease of Use**  
No forklift certification is required to operate.  
Design is intuitive.
- ✓ **Support**  
Drum Runner, Inc. is dedicated to the most effective  
drum handling solutions possible.



## Model 4600

### Standard Features

- 800-lb Load Capacity
- 12V DC or 110V AC Operation
- Phenolic Wheels
- Handles Drums 29" - 36" Tall
- Counterbalanced
- Sturdy Mild-Steel Construction
- 72" Maximum Lift Height
- 84" Maximum Pour Height
- Steel-It<sup>®</sup>-Coated Frame

*All Drum Runner Models are shipped  
ready-to-use. No assembly or addition  
of fluids is required.*

### Unmatched Warranty

Due to its premium design and construction, this model includes coverage against defects in the frame structure as well as the component materials. We are confident in the craftsmanship, quality and performance that make Drum Runner the industry leader in drum-handling technology.

### Satisfaction Guaranteed

We offer a seven-day money-back guarantee with every standard Drum Runner purchase. If you are dissatisfied in any way with your Drum Runner product, return it to us for a complete refund of the purchase price.



# DRUM-RUNNER

1-800-DRUM-RUN (1-800-378-6786)

617 West Center Street, Suite 126 Marion, Ohio 43302  
[www.drumrunner.com](http://www.drumrunner.com)