

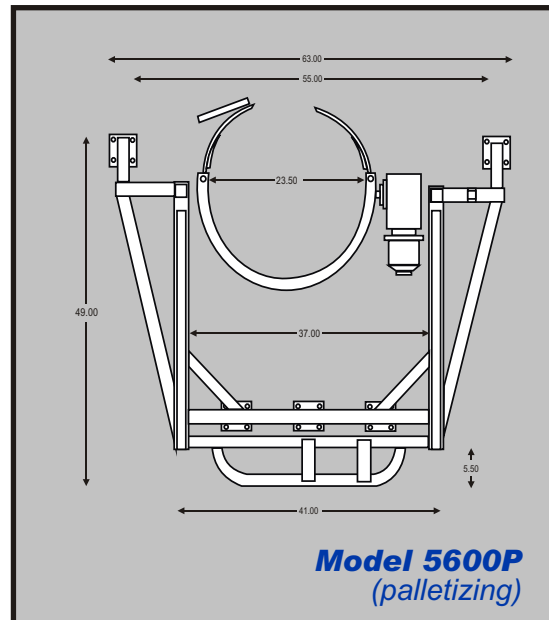
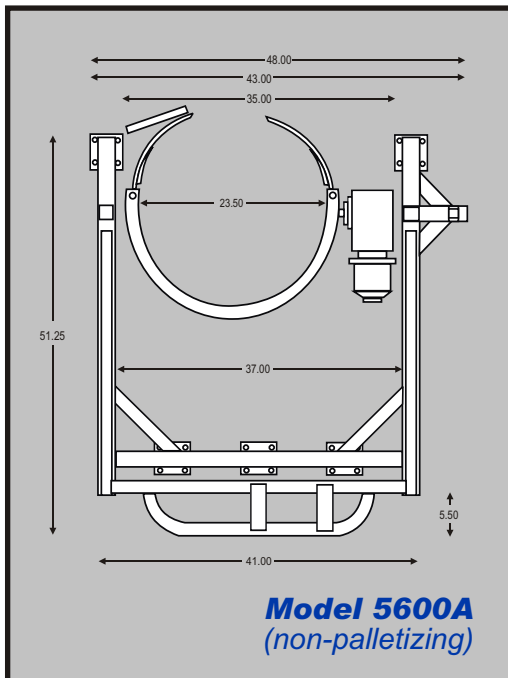
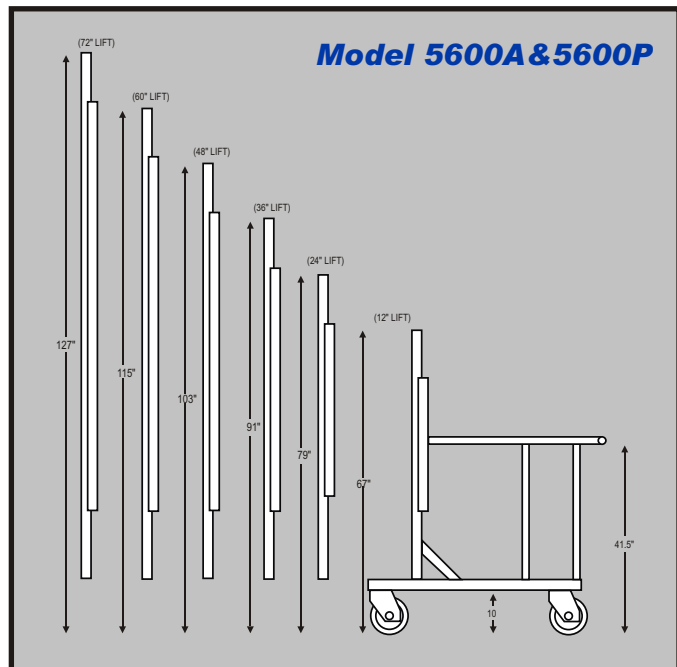
DRUM RUNNER

Model 5600

Technical Data

Standard Features

- 1,000-lb Load Capacity
- Sturdy Mild-Steel Construction
- Steel-It®-Coated Frame
- Pneumatic Cylinder Lift
- Two 19-Gallon Air Tanks
- Joystick Controller
- Air Flow Regulator
- Air Motor Rotation
- Phenolic Wheels
- Center Foot Stabilizer
- Handles Drums 29" - 36" Tall
- 30-Gallon and Fiber Drum Options



DRUM RUNNER

1-800-DRUM-RUN (1-800-378-6786)

617 West Center Street, Suite 126 Marion, Ohio 43302

www.drumrunner.com